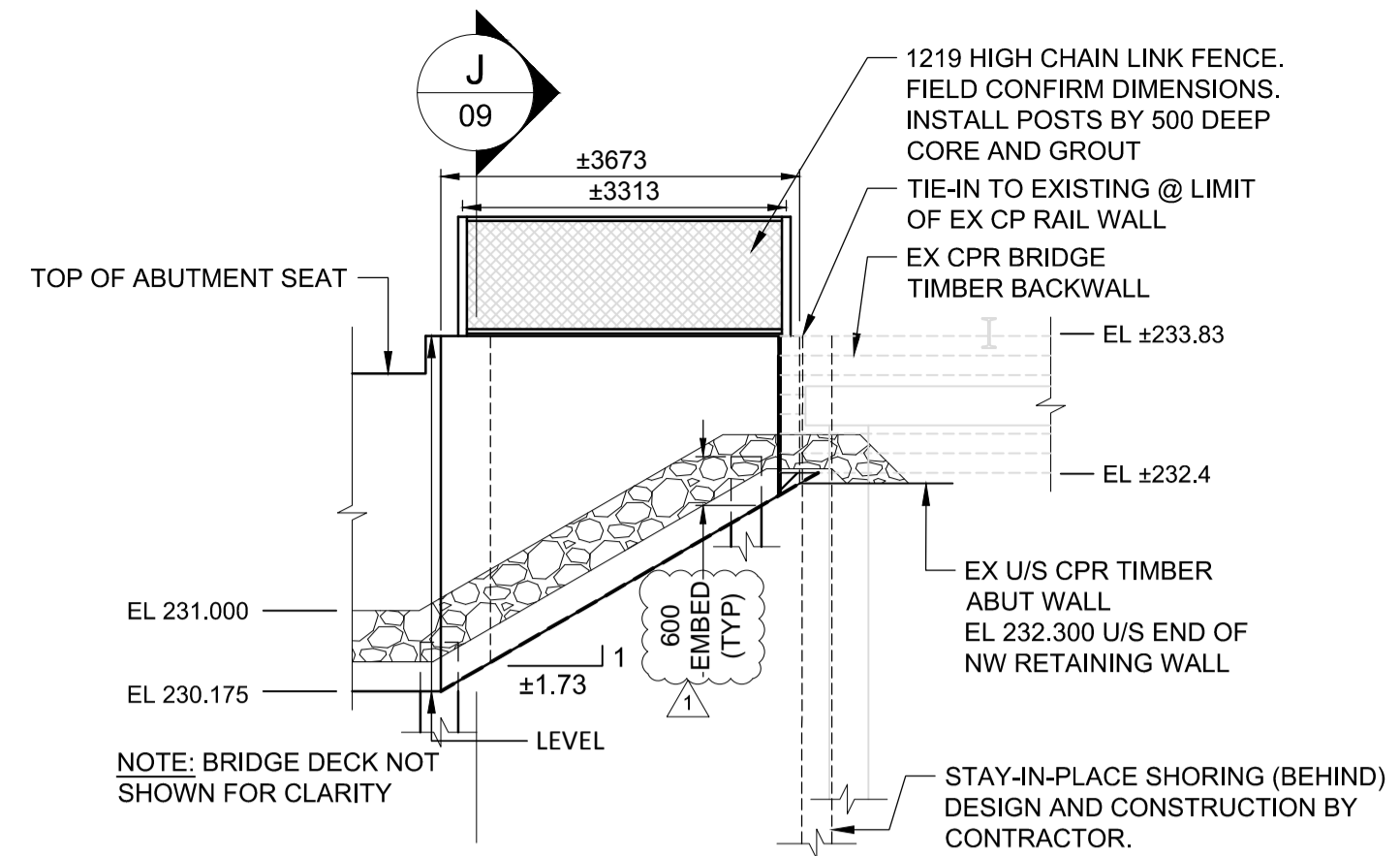
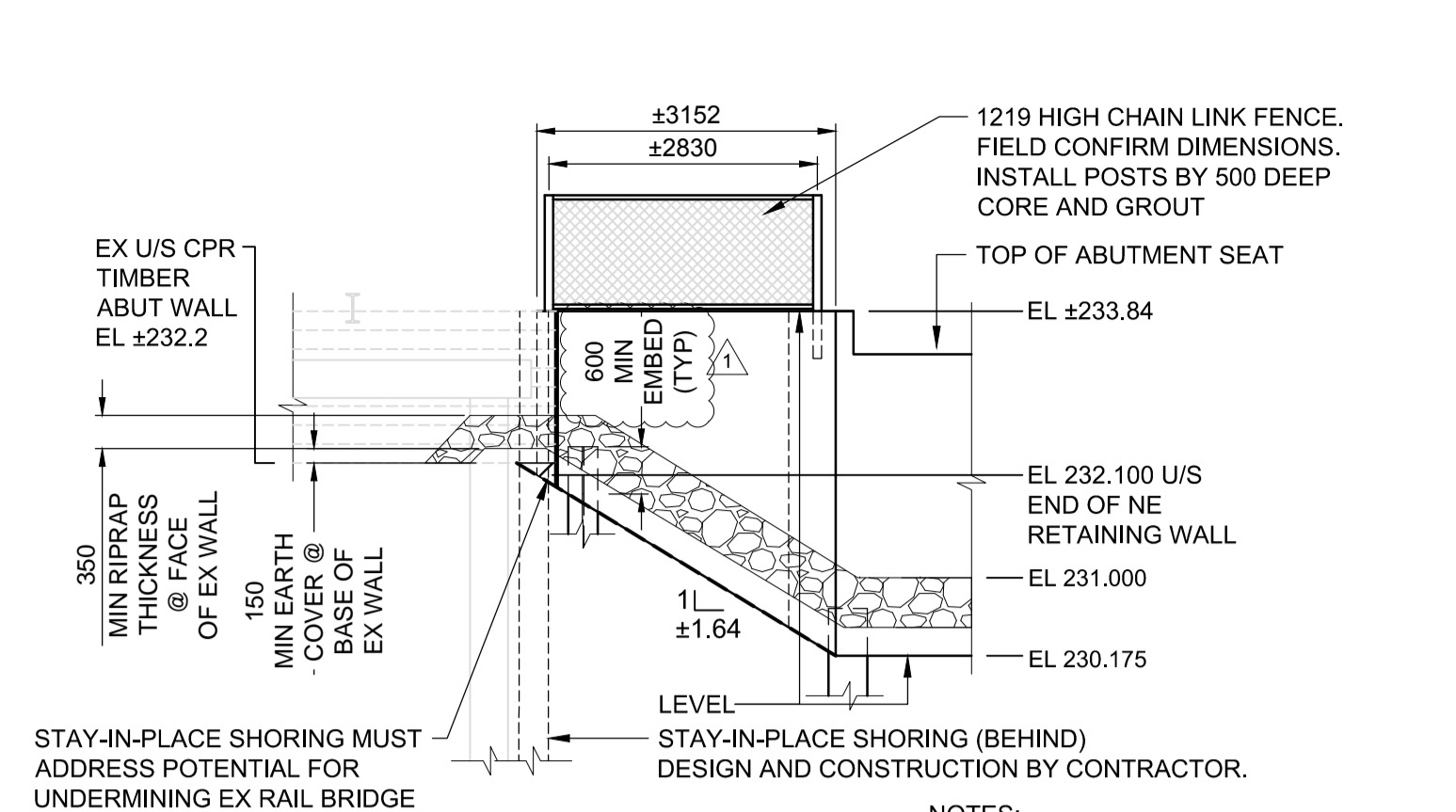


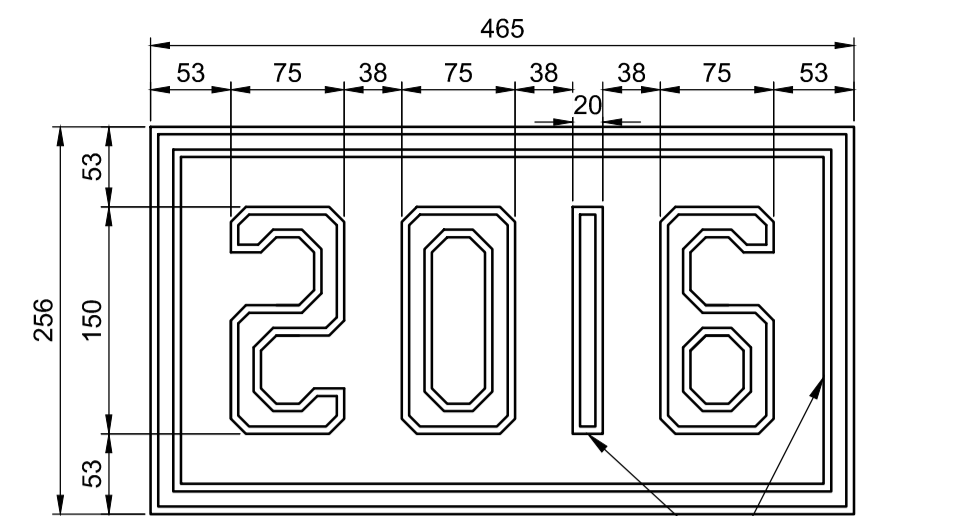
A ELEVATION
09 SW RETAINING WALL
SCALE: 1:75



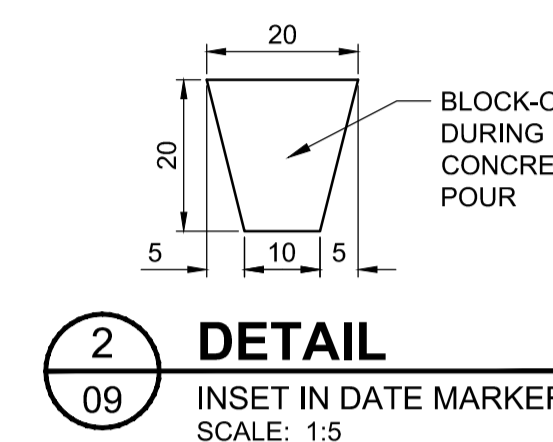
C ELEVATION
09 NW RETAINING WALL
SCALE: 1:75



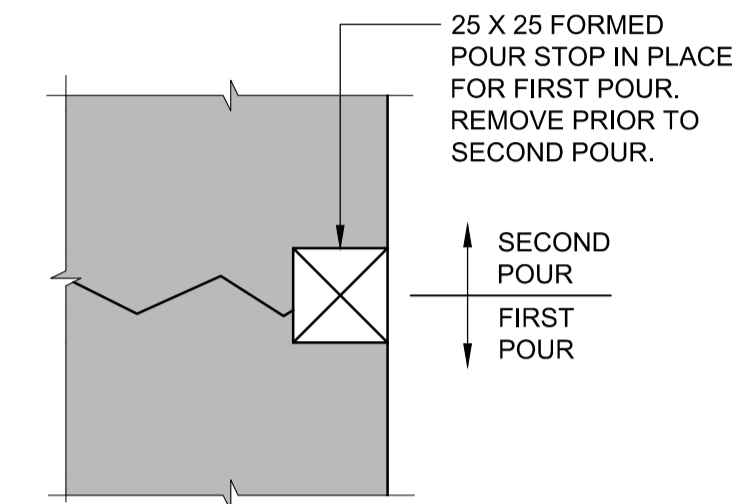
D ELEVATION
09 NE RETAINING WALL
SCALE: 1:75



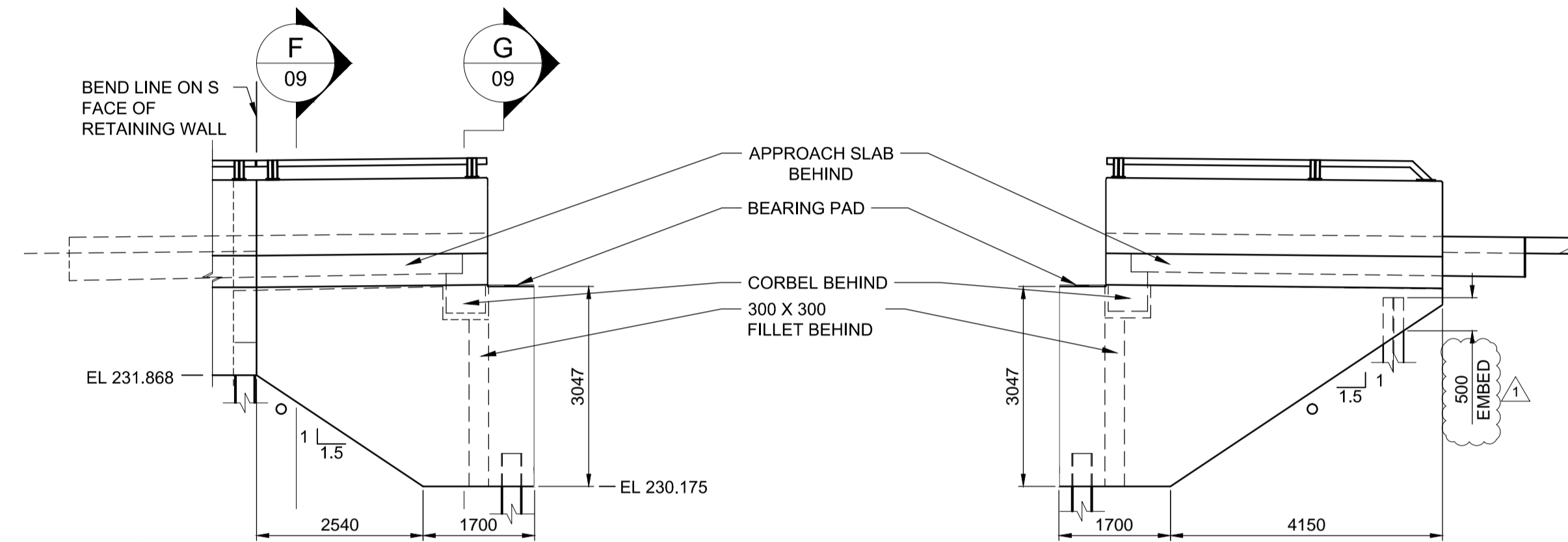
1 DETAIL
09 DATE MARKER
SCALE: 1:5



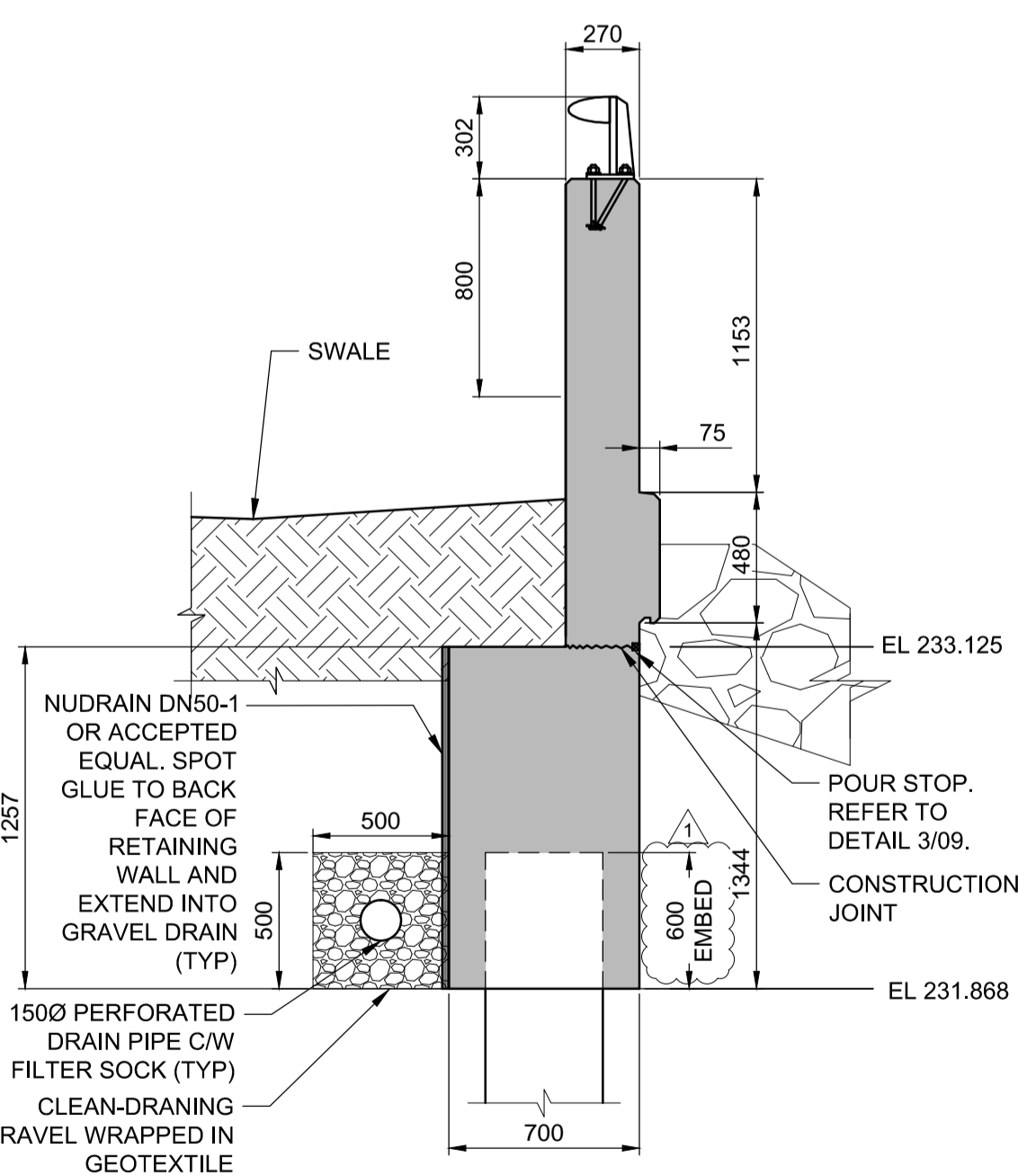
2 DETAIL
09 INSET IN DATE MARKER
SCALE: 1:5



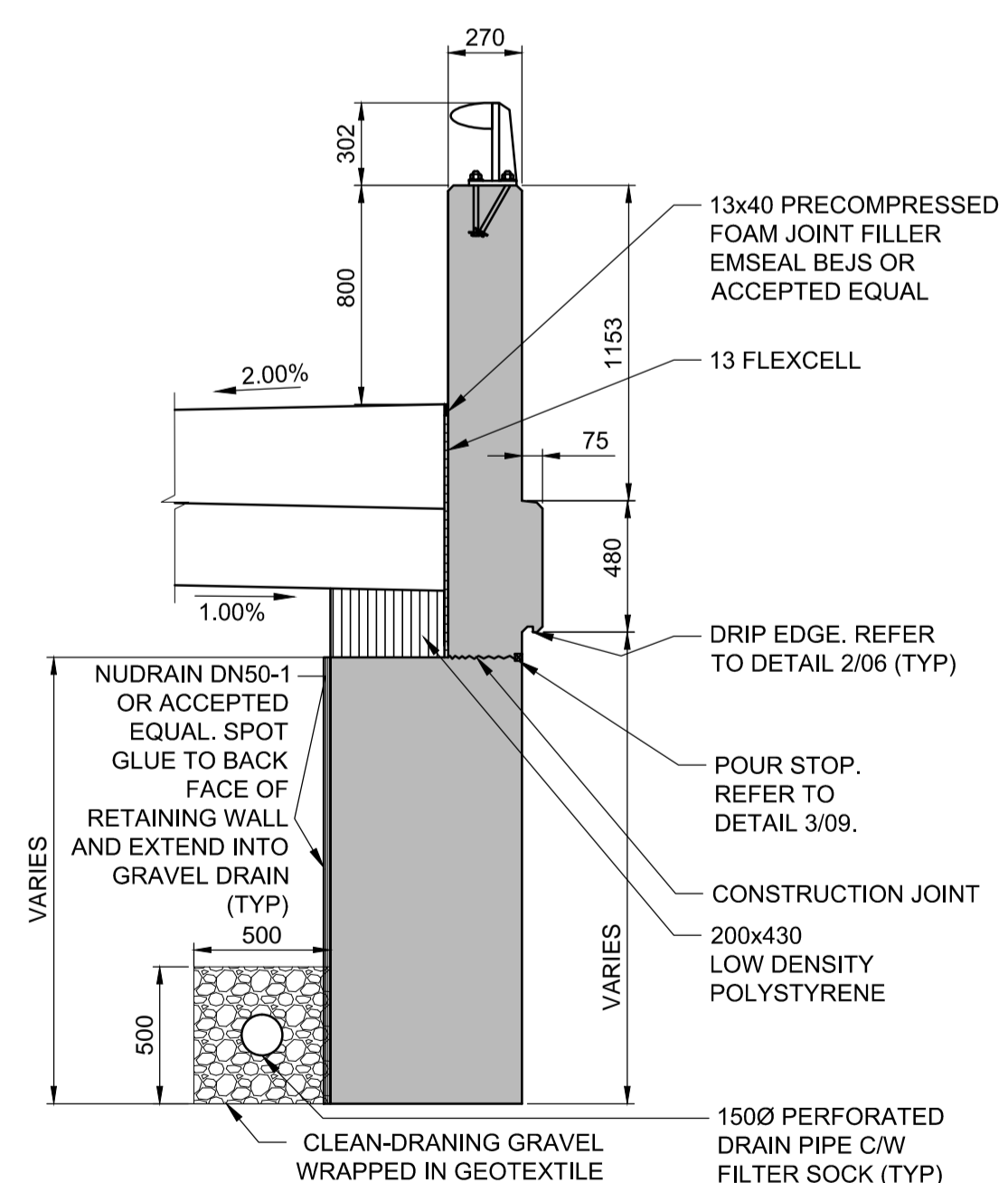
3 DETAIL
09 POUR STOP
SCALE: 1:2



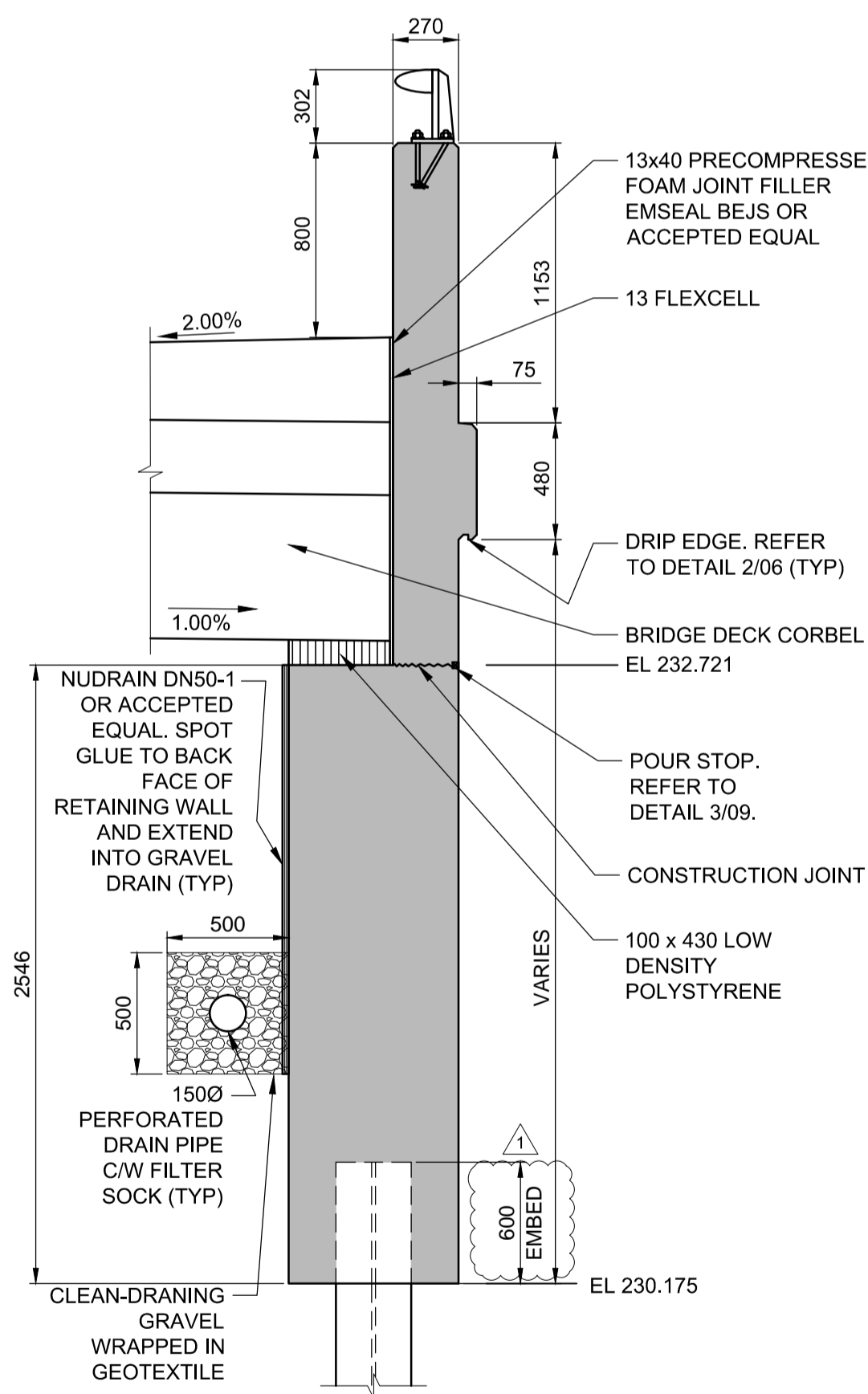
B SW & SE WINGWALL ELEVATION
09 LOOKING NORTH
SCALE: 1:75



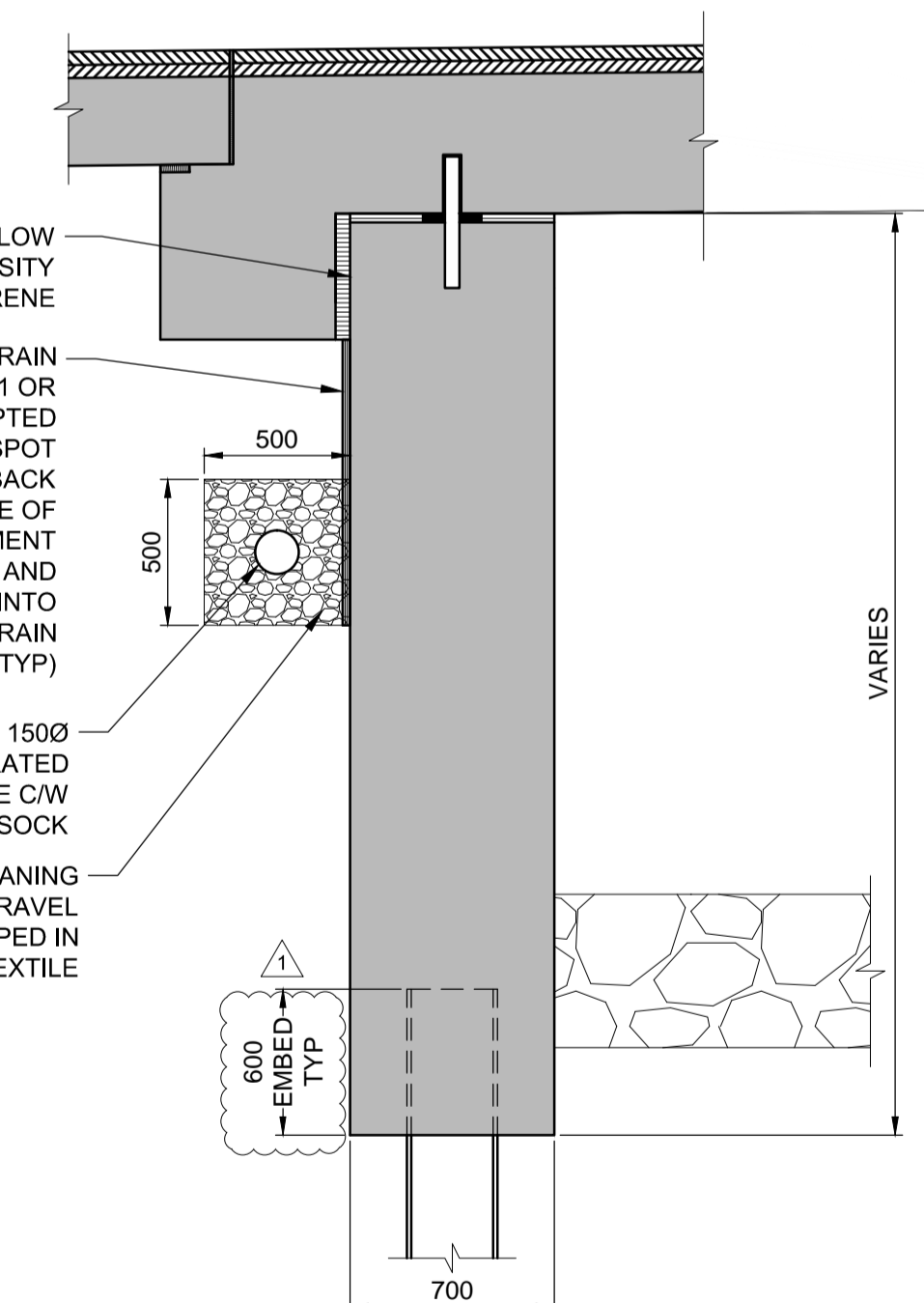
E SECTION
09 SW RETAINING WALL
SCALE: 1:25



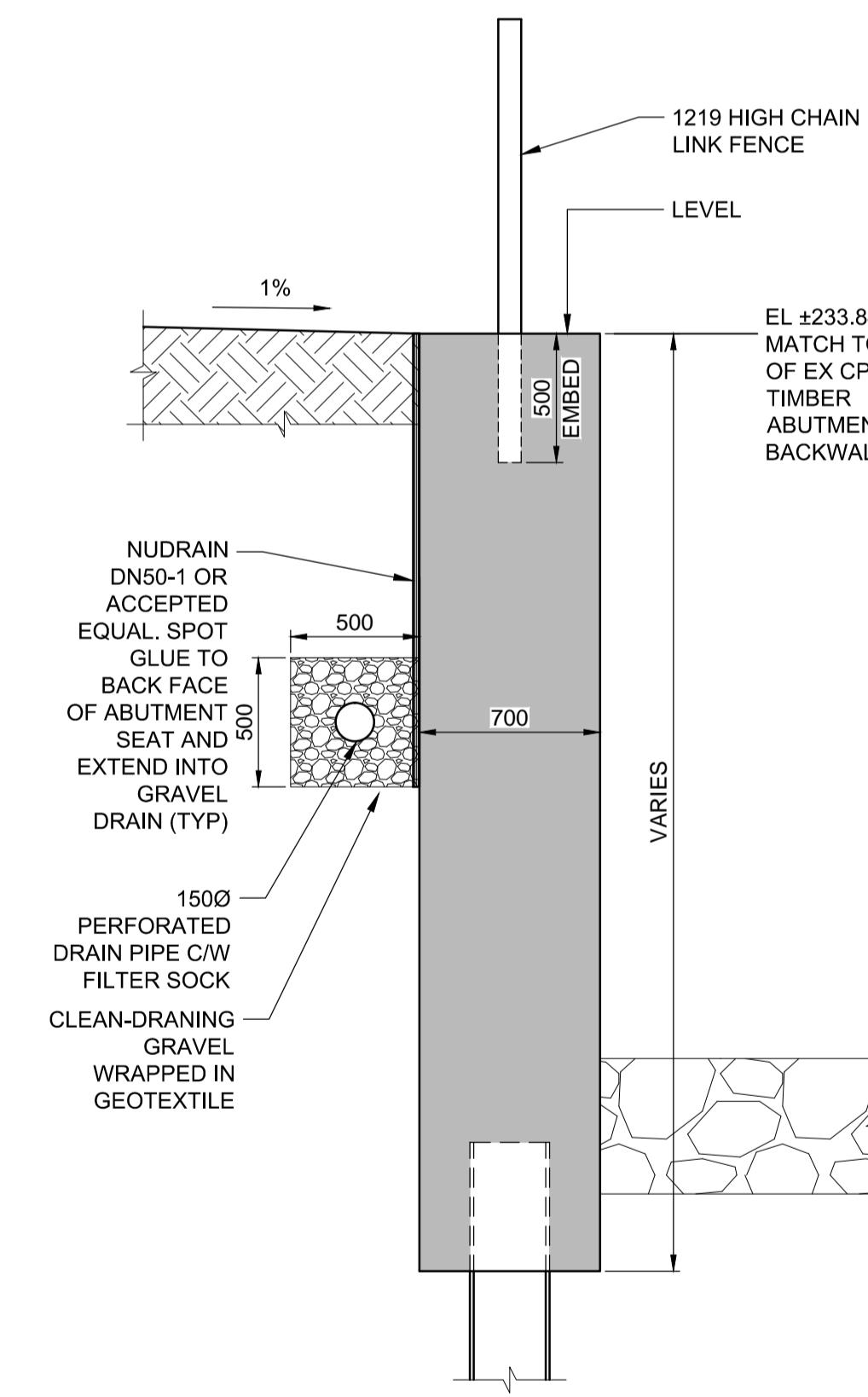
F SECTION
09 SW WINGWALL, SE WINGWALL SIMILAR
SCALE: 1:25



G SECTION
09 SW WINGWALL, SE WINGWALL SIMILAR
SCALE: 1:25



H SECTION
09 ABUTMENT & SEMI-INTEGRAL BRIDGE DECK
SCALE: 1:25



J SECTION
09 NW RETAINING WALL, NE RETAINING WALL SIMILAR
SCALE: 1:25

LOCATION APPROVED
UNDERGROUND STRUCTURES

SUPR. U/G STRUCTURES COMMITTEE DATE

NOTE:
LOCATION OF UNDERGROUND STRUCTURES AS SHOWN ARE BASED ON THE BEST INFORMATION AVAILABLE BUT NO GUARANTEE IS GIVEN THAT ALL EXISTING UTILITIES ARE SHOWN OR THAT THE GIVEN LOCATIONS ARE EXACT. CONFIRMATION OF EXISTENCE AND EXACT LOCATION OF ALL SERVICES MUST BE OBTAINED FROM THE INDIVIDUAL UTILITIES BEFORE PROCEEDING WITH CONSTRUCTION.

NO.	ISSUED FOR	DATE	BY
1	ISSUED FOR ADDENDUM 1	15/11/10	DAN
0	ISSUED FOR TENDER	15/10/22	DAN
	REVISIONS	YYMMDD	BY

MORRISON HERSHFIELD	
DESIGNED BY DAN	CHECKED BY SAL
DRAWN BY DML	APPROVED BY BE
HOR. SCALE AS SHOWN	DATE 15/10/22
VERT. SCALE AS SHOWN	SIGNED BY D.N. BURMEY, P.ENG.
DATE 15/04/24	D.N. BURMEY, P.ENG. BRIDGE PROJECTS ENGINEER

PROFESSIONAL'S SEAL

PROVINCE OF MANITOBA

D.A. NEILSON
ORIGINAL SIGNED 15/10/22
37248

REGISTERED PROFESSIONAL ENGINEER

CONSULTANT DRAWING No. W150005-DWG-BRIDGE.dwg

THE CITY OF WINNIPEG
PUBLIC WORKS DEPARTMENT
ENGINEERING DIVISION

SASKATCHEWAN AVENUE AT OMAND'S CREEK BRIDGE REPLACEMENT

SUBSTRUCTURE II

CITY DRAWING NUMBER B144-16-09

SHEET 09 OF 18

DRAWING No. 09 REV 1

BID OPPORTUNITY No. 775-2015

APEGM
Certificate of Authorization
MORRISON HERSHFIELD
No. 1736

METRIC
WHOLE NUMBERS INDICATE MILLIMETRES
DECIMALIZED NUMBERS INDICATE METRES